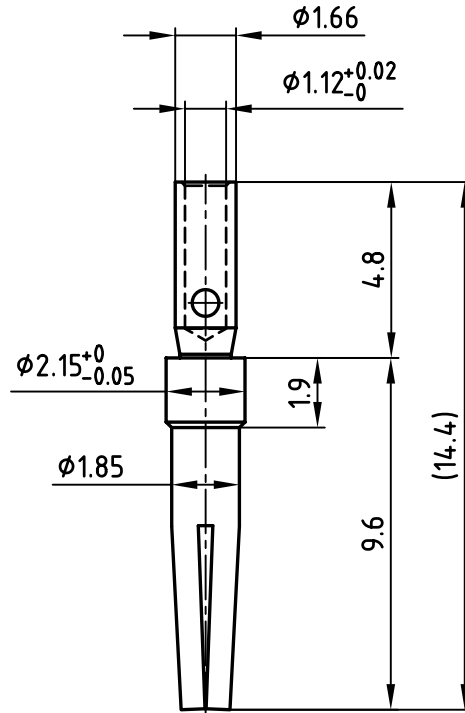


used for: D-SUB



Notes:

- Material: brass
- Finish: hard-gold-plated in the contact area
- Temperature range: -55°C to +125°C
- Rated current: 7.5A
- Contact resistance: $\leq 10\text{m}\Omega$

APPROVAL # FREIGABE # DEBLOCAGE # AUTORIZACION # APPROVAL	
CUSTOMER APPROVAL DATE:	
NAME:	TITLE:
COMPANY NAME:	
APPROVAL # FREIGABE # DEBLOCAGE # AUTORIZACION # APPROVAL	



THIS DRAWING MAY NOT BE COPIED OR REPRODUCED IN ANY WAY, AND MAY NOT BE PASSED ON TO A THIRD PARTY WITHOUT WRITTEN PERMISSION.
 OWNERSHIP AND COPYRIGHT OF CONEC GmbH
 DO NOT ALTER CAD DRAWING BY HAND

tolerance		dim. in mm	
2003	date	name	
drawn	25.03.	Parei	
appd.	25.03.	Kühle	
norm			
d-old			
rev.	description	date	name



scale:	5:1
material:	SEE NOTES
title:	CRIMP SOCKET CONTACT screw machined version accepts cable AWG 24-20
dwg no:	AutoCAD 2000
	DIN-A
	4
	sh: 1/1
part no:	162C18709X